



RIVENDITORE AUTORIZZATO PERGOTENDA

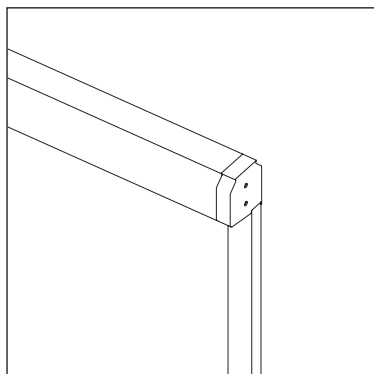
**Corradi**  
OUTDOOR LIVING SPACE

Millenium - Iridium - PT 45/60 - PT 100 - PT 120 - Impact - Ermetika

[www.tendaidea.it](http://www.tendaidea.it)

Via Pasquale II, 220 - 00168 Roma  
Tel. 06.6146995 - Fax: 06.6277836

# ERMETIKA FEATURES



Ermetika is a vertical roll-up rain and wind screen, made to size, that can be installed on suitable pre-existing structures. It consists of an aluminum structure and a rollable cloth.

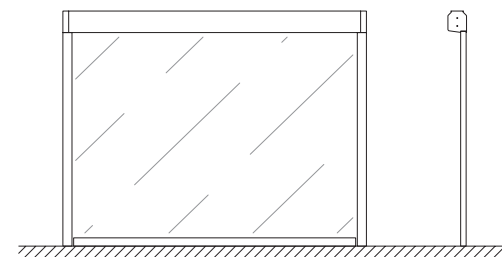
The wind resistance is guaranteed up to class 3 (as per UNI EN 13561 and EEC machine directive 98/37/CE).

For wind-up device inspectable protection cassette, side runners cm 6x3,3 with canvas retention system. Canvas may be manufactured with: transparent Cristal (rain-wind) up to 350 cm; micropunched Sun-worker (sun); Eclissi and PS ADR (sun-rain-wind) and

mosquito netting in all measures\*.

Ermetika is operated by a gearbox (manual drive) with meccanic limit switch in order to avoid the reversed winding of the canvas and eventual coming off of the winding tube; or otherwise by a ratio-motor (electric drive) with integrated receiver and electronic ascent/descent limit switch.

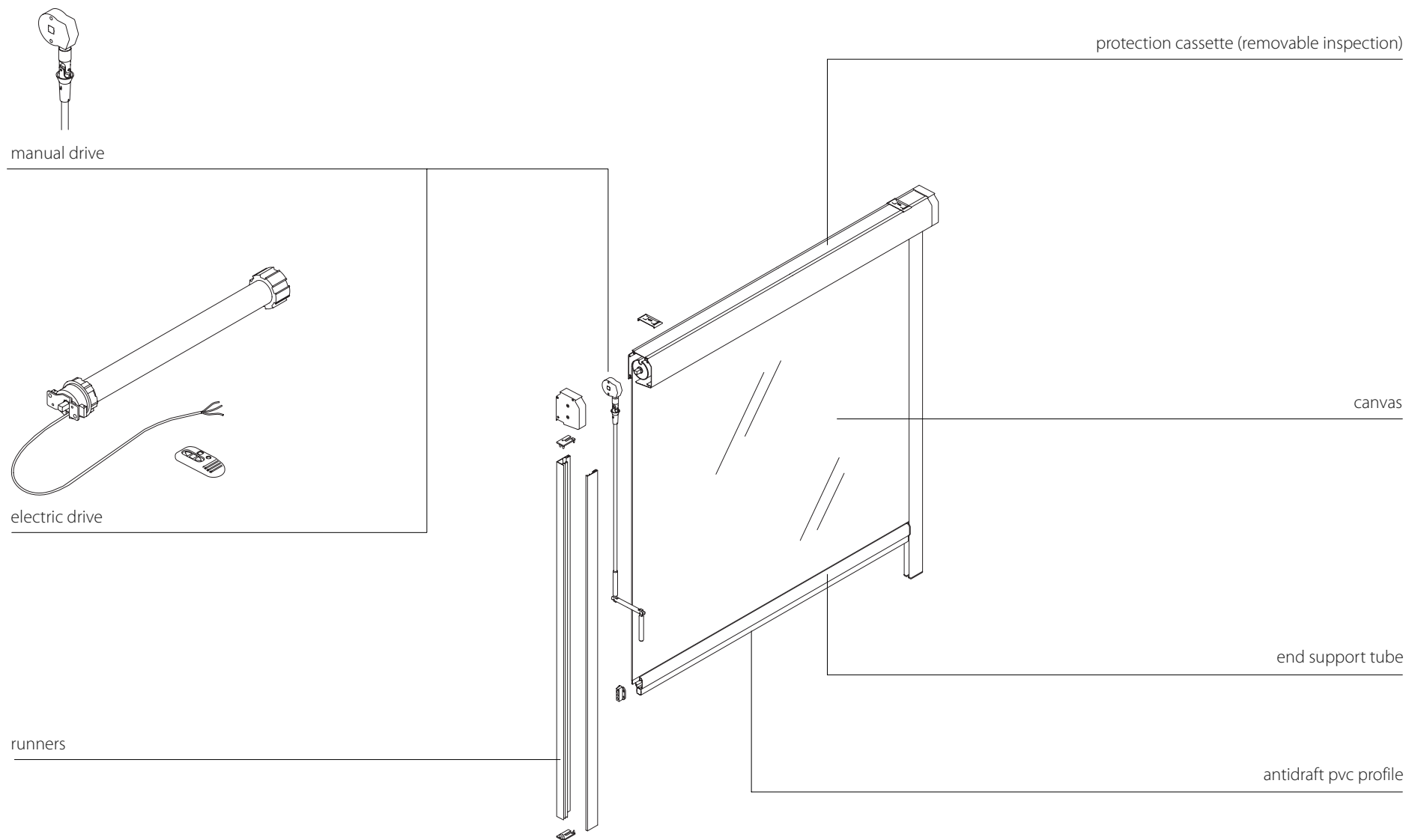
The structure is available in: brown, green, anthracite, grey, white, ivory, aluinox. Varnishing with epoxy powders, certified Qualicoat cycle.



## MAXIMUM DIMENSIONS cm

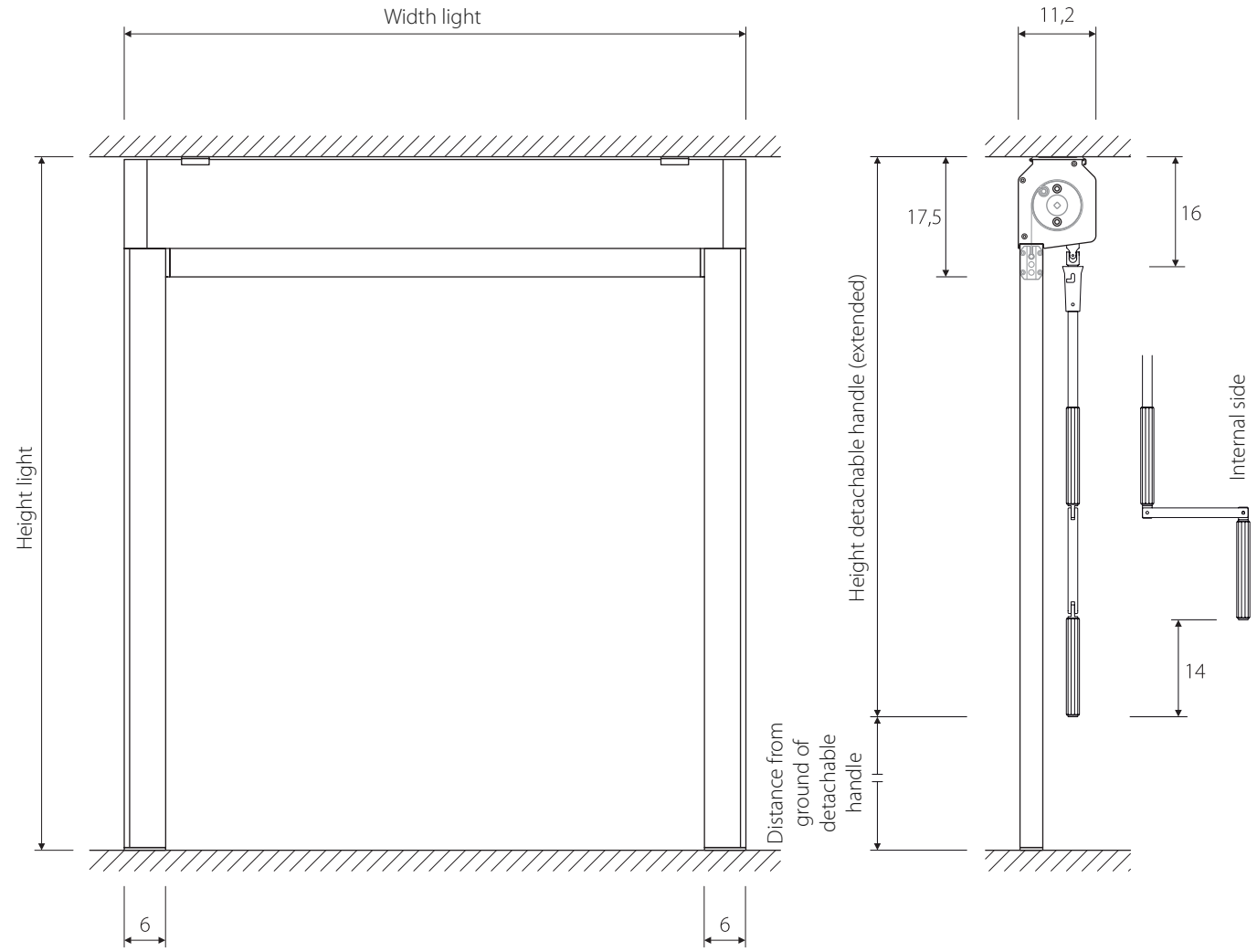
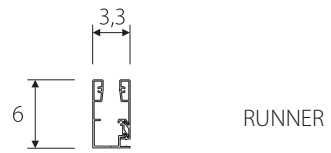
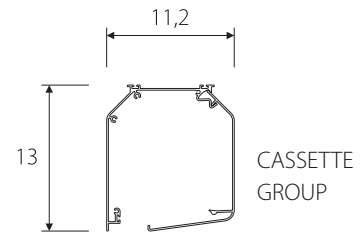
<i>Width</i>	<i>Height</i>
400	350

\*See Corradi sample kit for other colours.



# ERMETIKA DIMENSIONS

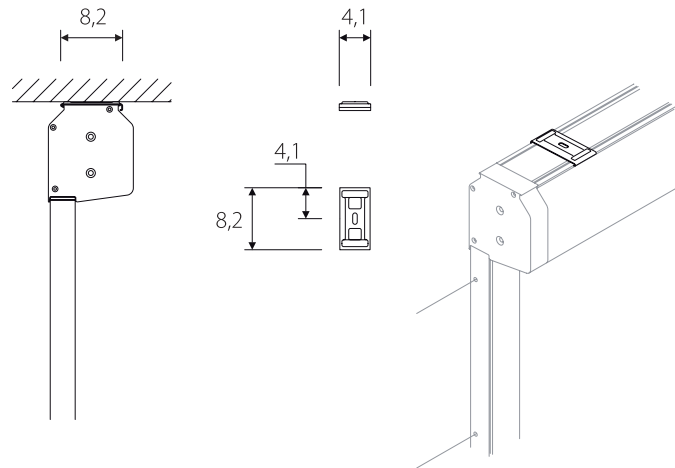
## PROFILE SECTIONS



All measurements are given in cm.

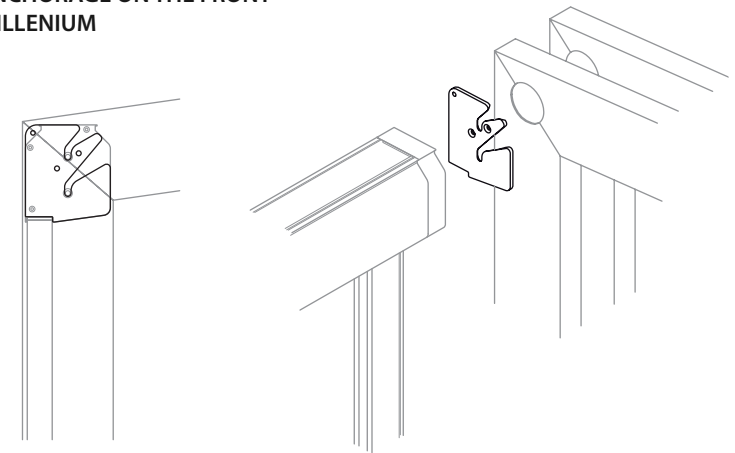
## OVERHEAD ANCHORAGE

(standard)



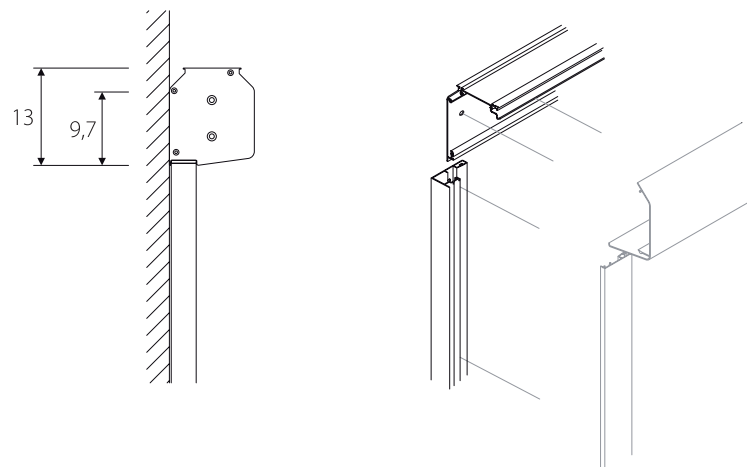
## ANCHORAGE ON THE FRONT

MILLENIUM



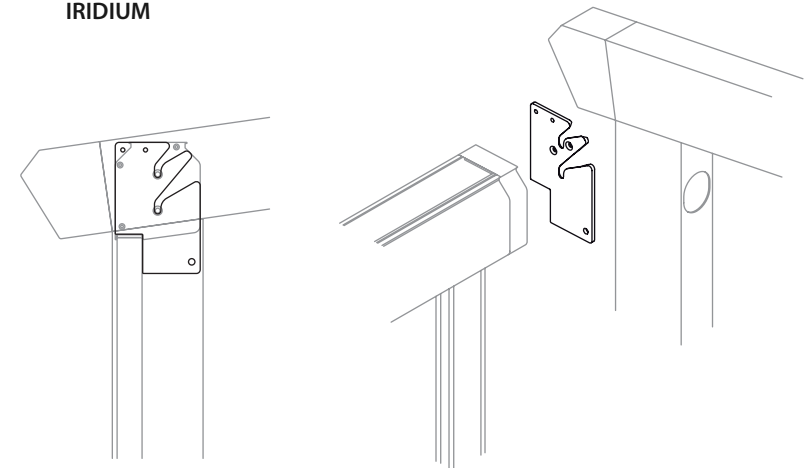
## FRONTAL ANCHORAGE

(without support)



## ANCHORAGE ON THE FRONT

IRIDIUM



All measurements are given in cm.